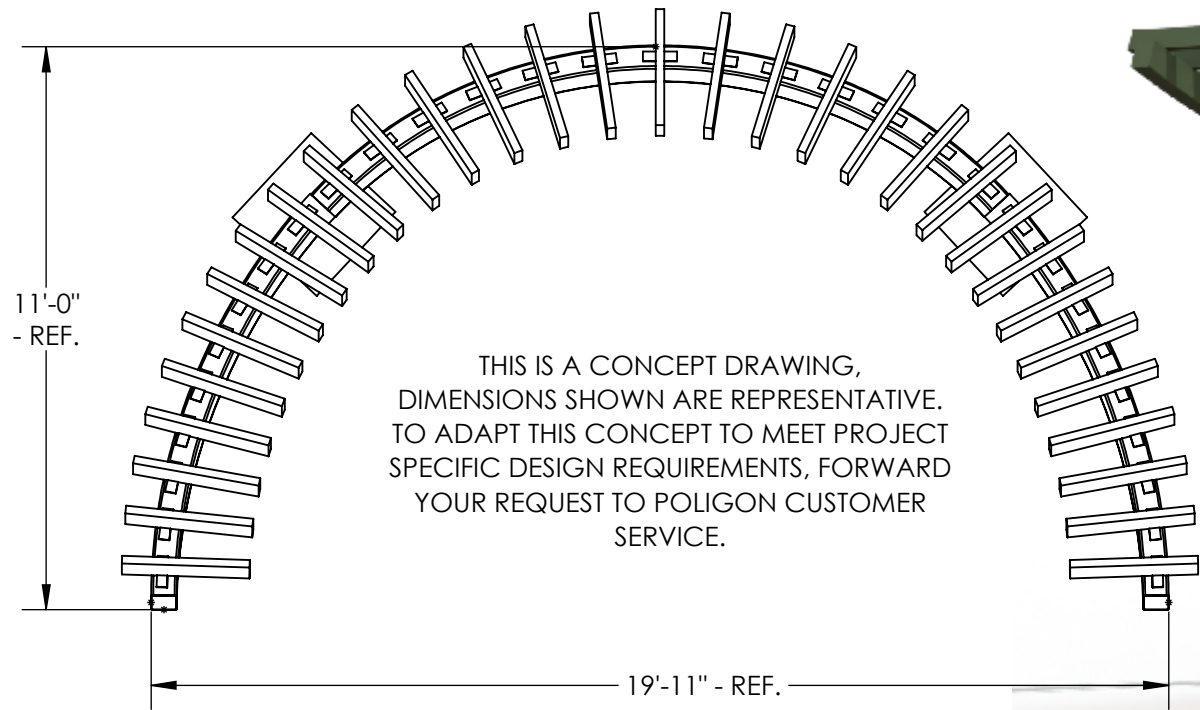


FRAME AND ORNAMENTATION FINISH:

MEMBERS SHOT BLASTED TO NEAR WHITE CONDITION (SSPC SP-10), WASHED AND SEALED IN A PHOSPHATE SPRAY, COATED WITH AN EPOXY PRIMER POWDER COAT BASE, OVER COATED WITH A SUPER DURABLE TGIC POLYESTER POWDER AND OVEN CURED. SEE COLOR MATRIX (WWW.POLIGON.COM) FOR AVAILABLE COLORS.

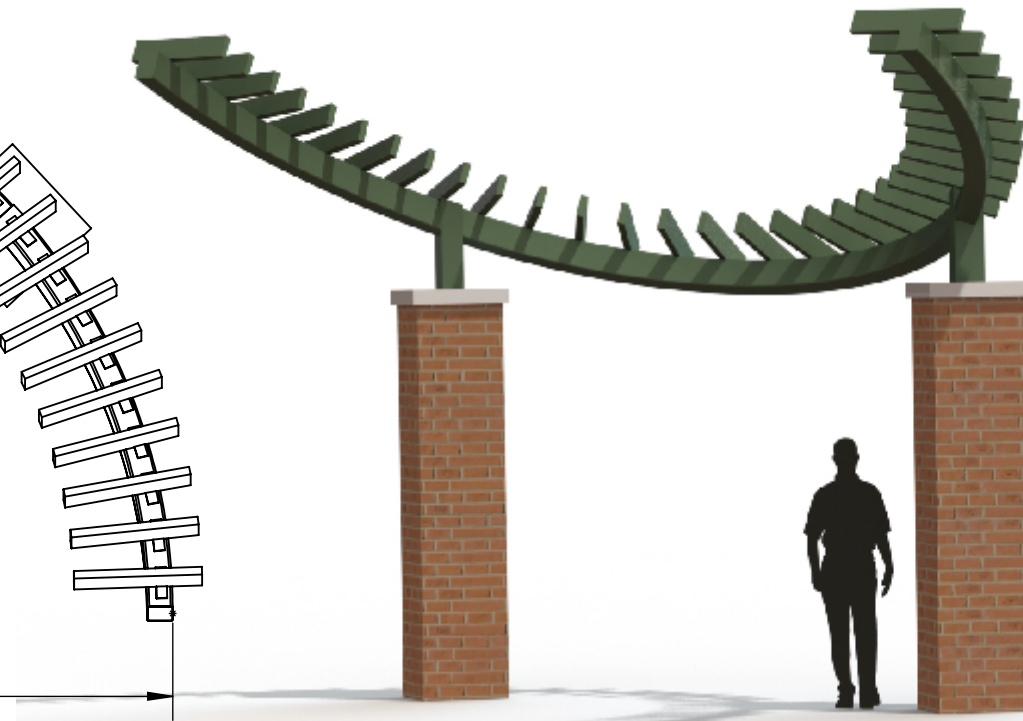


PORTERCORP HAS EARNED A **PCI-4000 CERTIFICATION** FROM THE GLOBALLY RECOGNIZED POWDER COATING INSTITUTE (PCI). QUALITY FINISHING IS CRUCIAL TO THE LONG TERM PERFORMANCE OF SHELTER STRUCTURES. THIS CERTIFICATION UNDERSCORES THE COMMITMENT PORTERCORP HAS MADE TO MANUFACTURING QUALITY PRODUCTS.



THIS IS A CONCEPT DRAWING, DIMENSIONS SHOWN ARE REPRESENTATIVE. TO ADAPT THIS CONCEPT TO MEET PROJECT SPECIFIC DESIGN REQUIREMENTS, FORWARD YOUR REQUEST TO POLIGON CUSTOMER SERVICE.

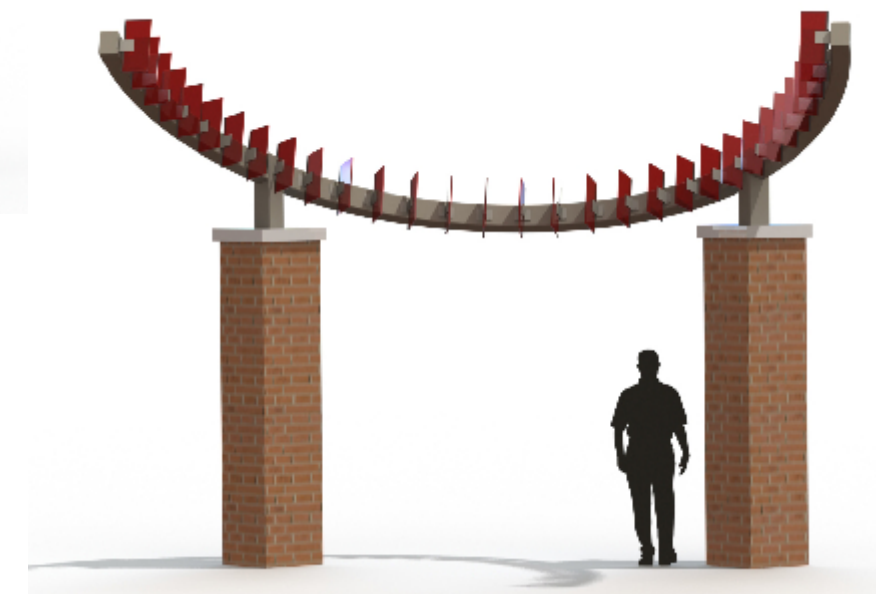
TOP VIEW



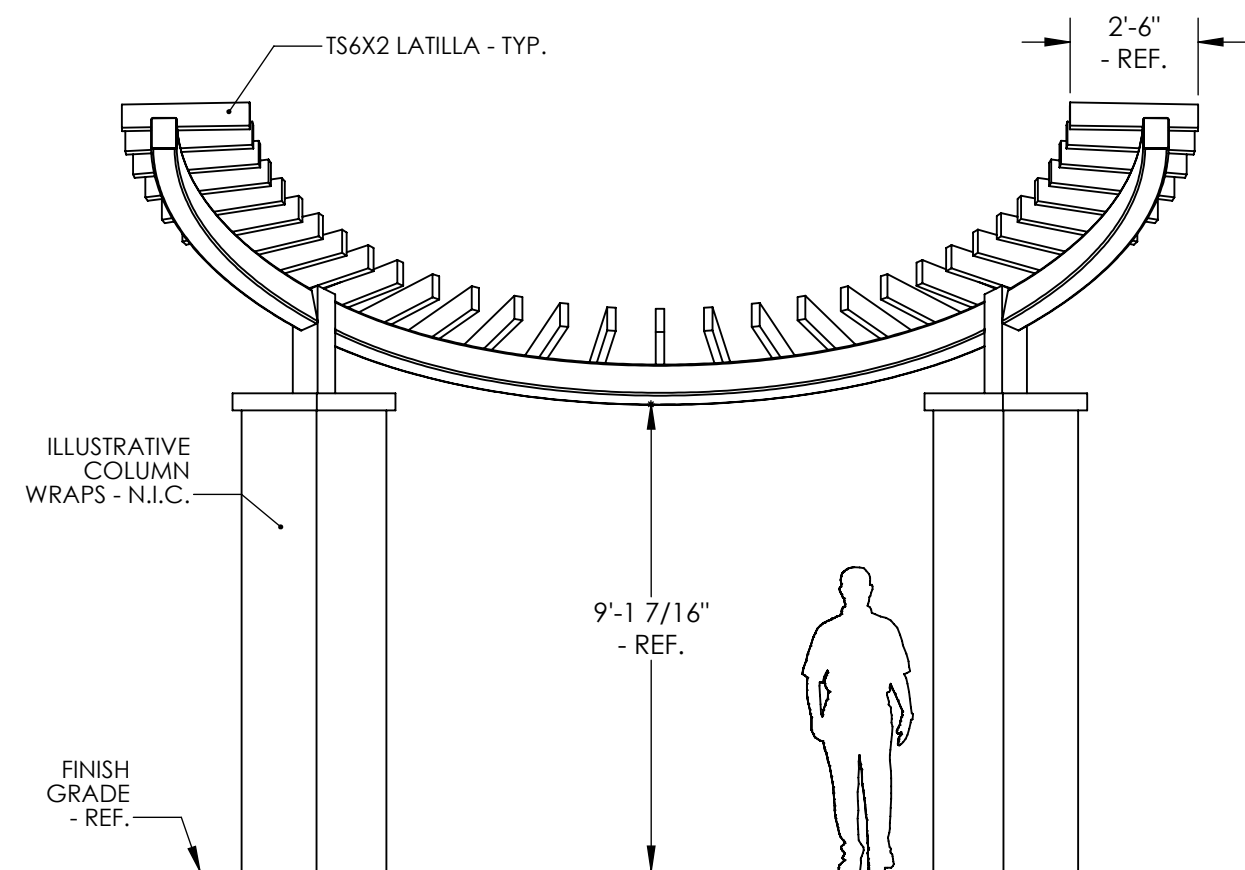
STEEL TUBE CONFIGURATION



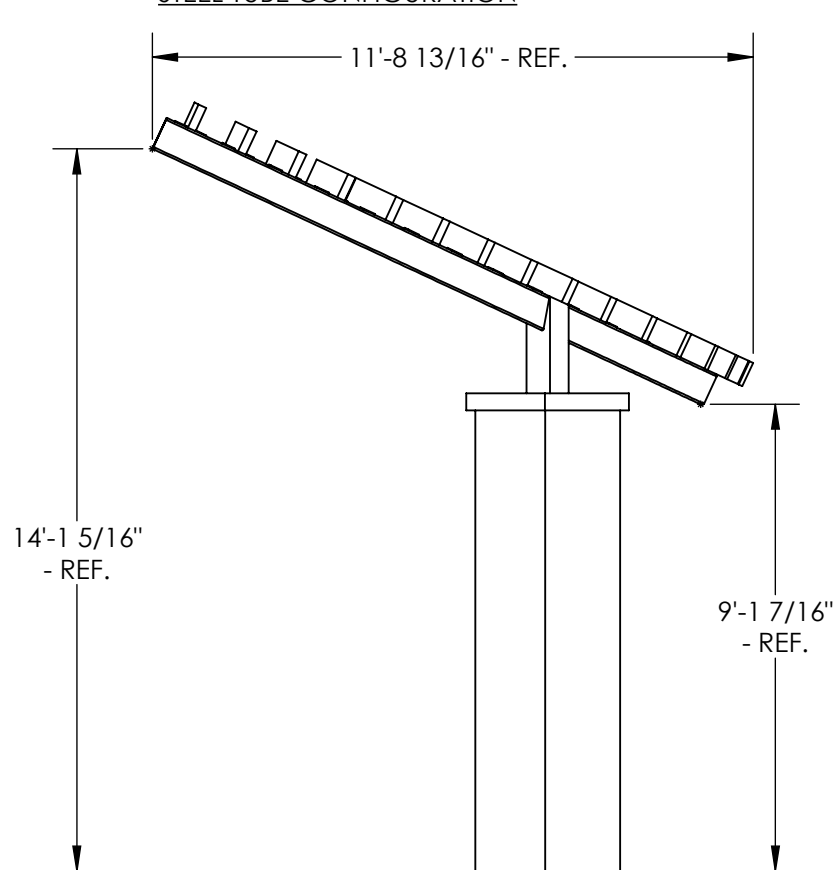
WITH POLYCARBONATE - CONFIGURATION "A"



WITH POLYCARBONATE - CONFIGURATION "B"



FRONT ELEVATION VIEW



SIDE ELEVATION VIEW

SHELTER MODEL:

DB-54: 20' HALO TRELLIS
STEEL TRELLIS COLLECTION

poligon[®]

www.poligon.com

616-399-1963

PORTERCORP, 4240 N. 136th AVE.
HOLLAND, MI 49424

PORTER
CORP.
A PLAYCORE Company

PATENTED AND/OR PATENTS PENDING. COPYRIGHT 2007 PORTERCORP HOLLAND, MI 49424