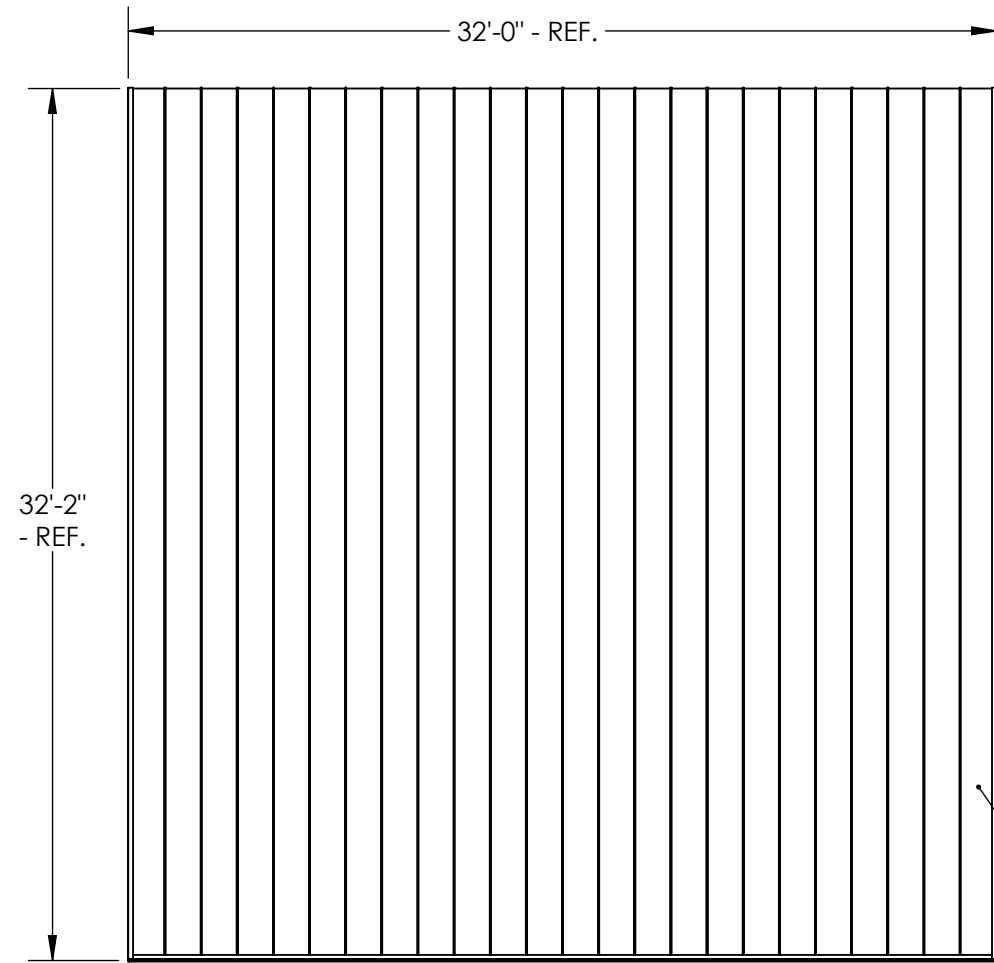


THIS IS A CONCEPT DRAWING, DIMENSIONS SHOWN ARE REPRESENTATIVE. TO ADAPT THIS CONCEPT TO MEET PROJECT SPECIFIC DESIGN REQUIREMENTS, FORWARD YOUR REQUEST TO POLIGON CUSTOMER SERVICE.

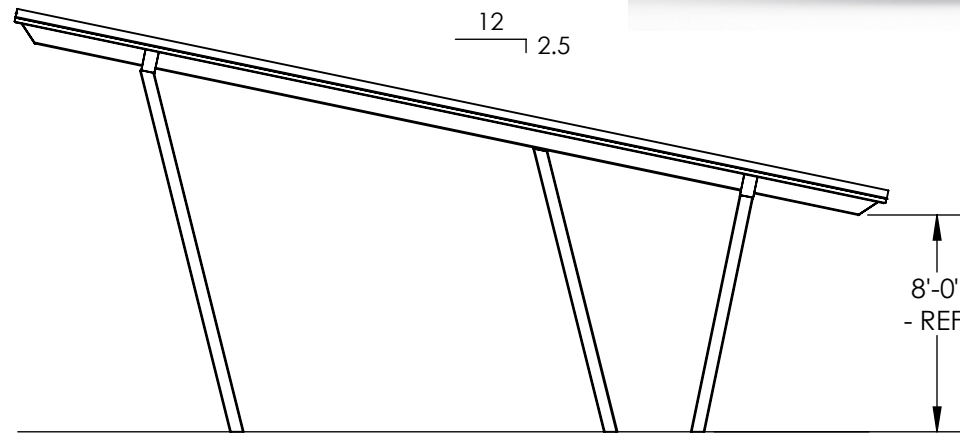
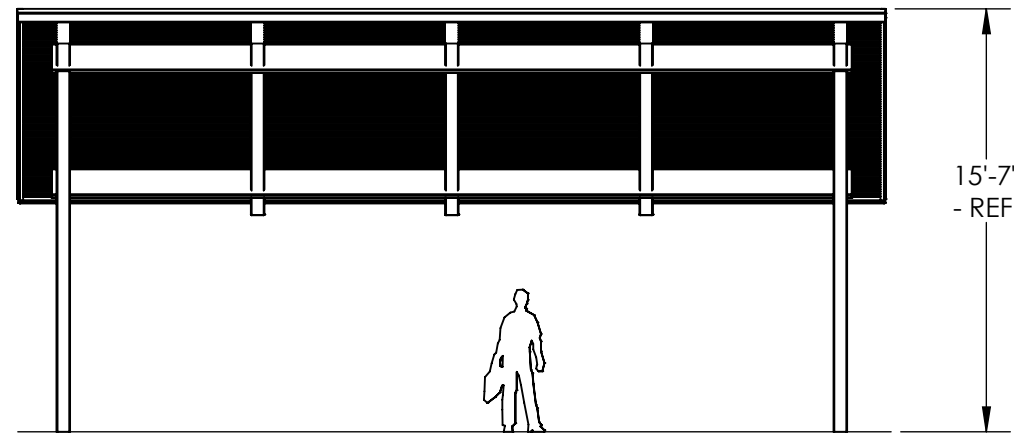
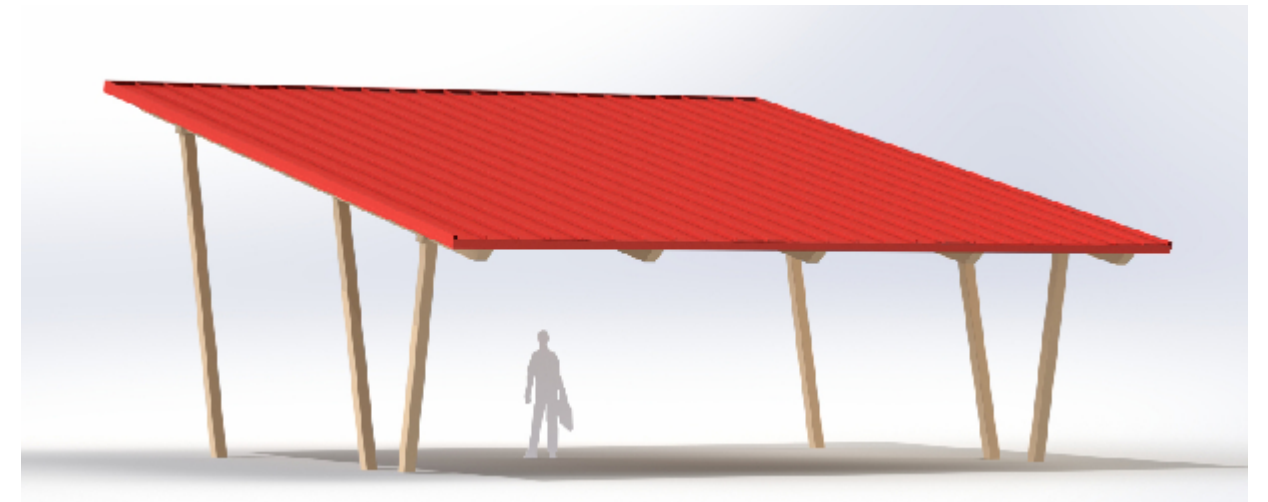
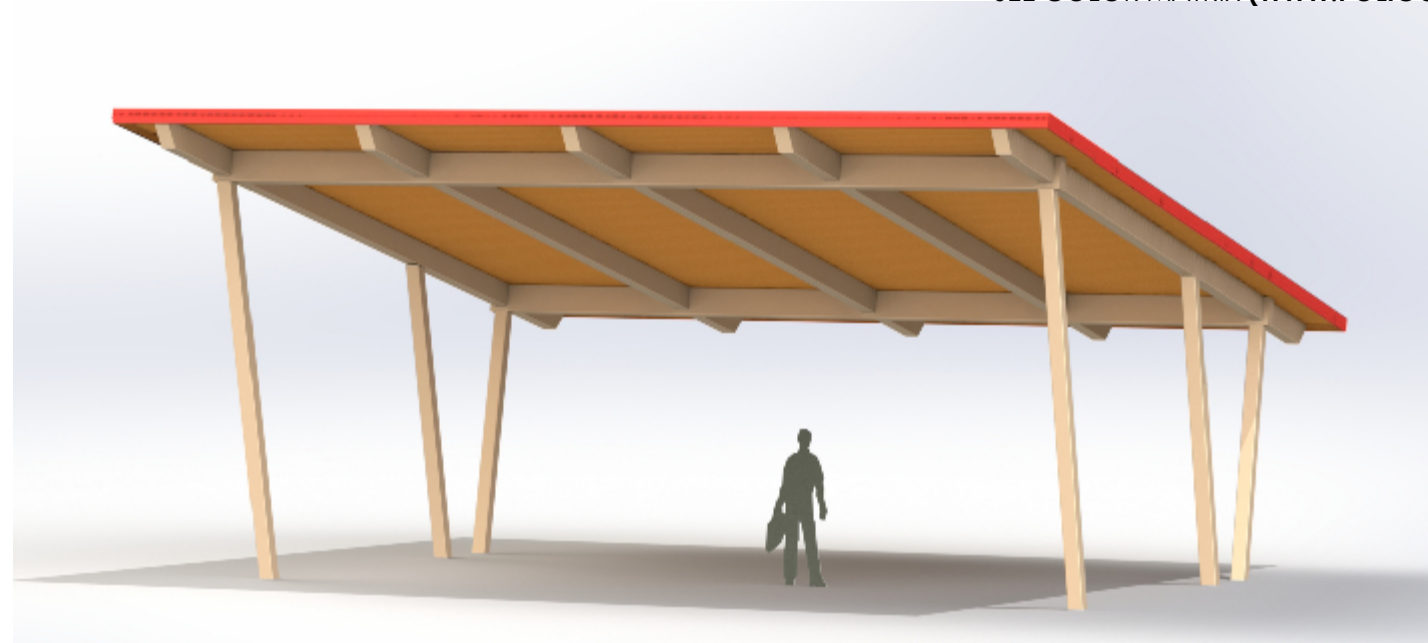


PORTERCORP HAS EARNED A **PCI-4000 CERTIFICATION** FROM THE GLOBALLY RECOGNIZED POWDER COATING INSTITUTE (PCI). PCI-4000 IS A QUALITY MANAGEMENT STANDARD AND CERTIFICATION SET. AS A CERTIFIED COATER, THIS PROGRAM MAKES PORTERCORP A LEADER IN THE INDUSTRY.

**FRAME AND ORNAMENTATION FINISH:** MEMBERS SHOT BLASTED TO NEAR WHITE CONDITION (SSPC SP-10), WASHED AND SEALED IN A PHOSPHATE SPRAY, COATED WITH A SPECIAL EPOXY PRIMER POWDER COAT BASE, COATED WITH A SUPER DURABLE TGIC POLYESTER POWDER AND OVEN CURED.  
**OPTIONAL UNDERCOAT:** EPOXY E-COAT SYSTEM, USING FULL IMMERSION ELECTRO-DEPOSITION PROCESS.  
 SEE COLOR MATRIX ([WWW.POLIGON.COM](http://WWW.POLIGON.COM)) FOR AVAILABLE COLORS.



GALVALUME COATED, KYNAR 500 PAINTED STANDING SEAM ROOFING OVER T&G ROOF.



SHELTER MODEL:  
**DB24: 32X32 MONOSLOPE STEEL SHELTER COLLECTION**



[www.poligon.com](http://www.poligon.com)

616-399-1963

PORTERCORP, 4240 N. 136th AVE.  
 HOLLAND, MI 49424



PATENTED AND/OR PATENTS PENDING. COPYRIGHT 2013 PORTERCORP HOLLAND, MI 49424