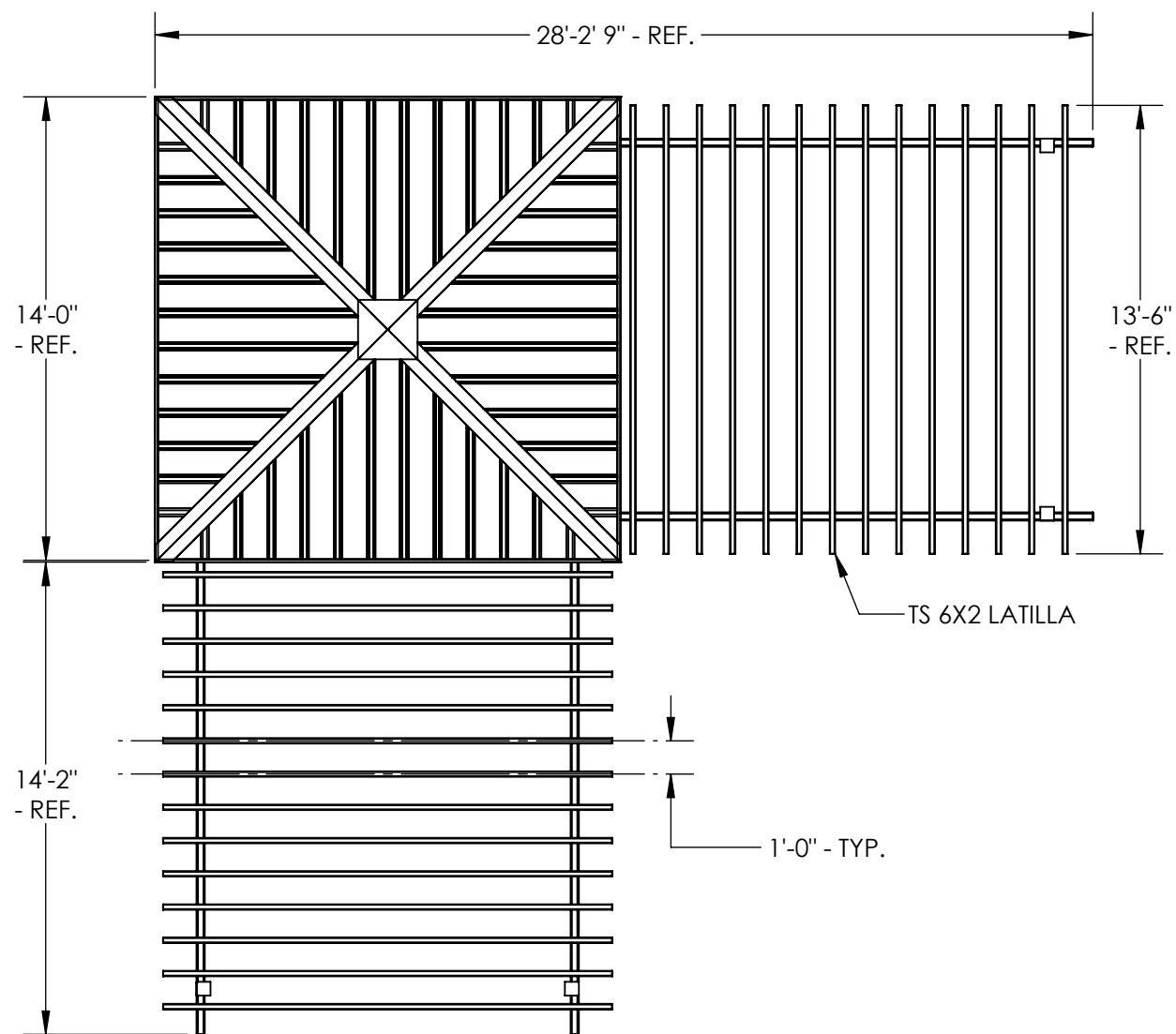


THIS IS A CONCEPT DRAWING, DIMENSIONS SHOWN ARE REPRESENTATIVE. TO ADAPT THIS CONCEPT TO MEET PROJECT SPECIFIC DESIGN REQUIREMENTS, FORWARD YOUR REQUEST TO POLIGON CUSTOMER SERVICE.

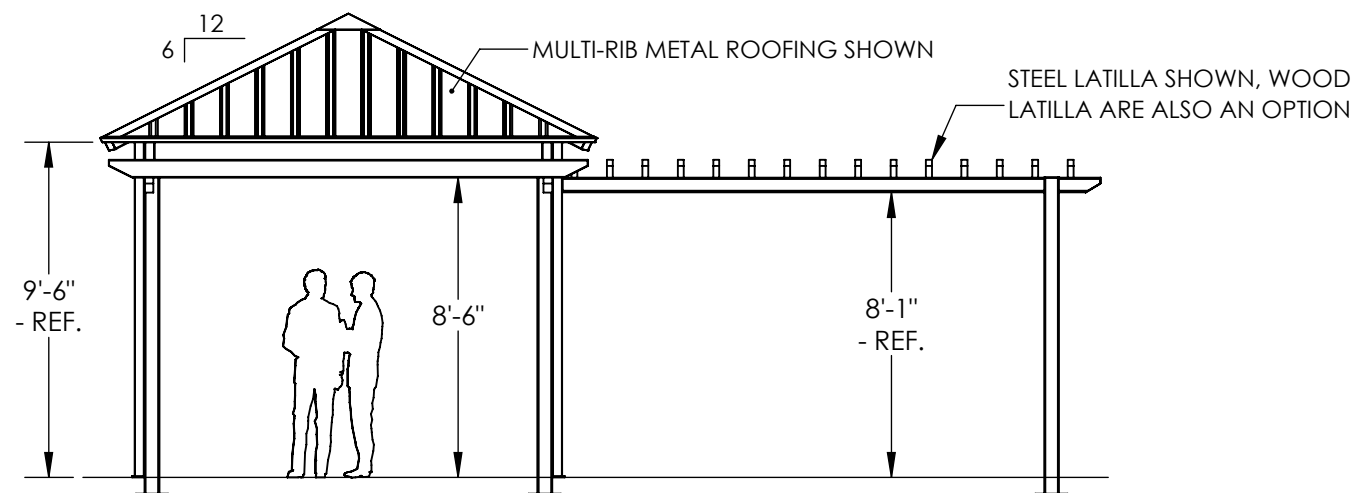


PORTERCORP HAS EARNED A **PCI-4000 CERTIFICATION** FROM THE GLOBALLY RECOGNIZED POWDER COATING INSTITUTE (PCI). QUALITY FINISHING IS CRUCIAL TO THE LONG TERM PERFORMANCE OF SHELTER STRUCTURES. THIS CERTIFICATION UNDERSCORES THE COMMITMENT PORTERCORP HAS MADE TO MANUFACTURING QUALITY PRODUCTS.

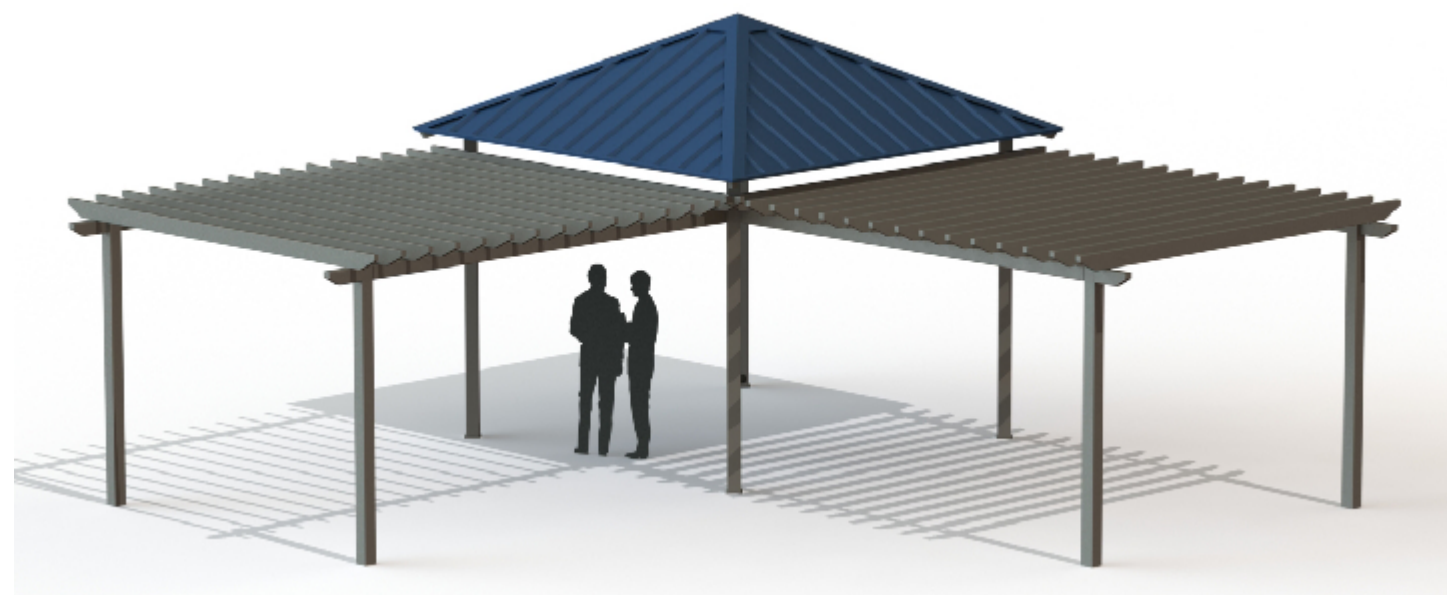
FRAME AND ORNAMENTATION FINISH: MEMBERS SHOT BLASTED TO NEAR WHITE CONDITION (SSPC SP-10), WASHED AND SEALED IN A PHOSPHATE SPRAY, COATED WITH AN EPOXY PRIMER POWDER COAT BASE, OVER COATED WITH A SUPER DURABLE TGIC POLYESTER POWDER AND OVEN CURED. SEE COLOR MATRIX (WWW.POLIGON.COM) FOR AVAILABLE COLORS.



TOP VIEW



ELEVATION VIEW



PATENTED AND/OR PATENTS PENDING. COPYRIGHT 2007 PORTERCORP HOLLAND, MI 49424

SHELTER MODEL:

**DB-2: 14' SQUARE W/ TRELLIS WINGS
STEEL TRELLIS COLLECTION**

poligon[®]

www.poligon.com

616-399-1963

PORTERCORP, 4240 N. 136th AVE.
HOLLAND, MI 49424

PORTER CORP.[™]

A PLAYCORE COMPANY

Copyright laws protect the style and visual appearance of the structure while patents may protect other parts of the design.