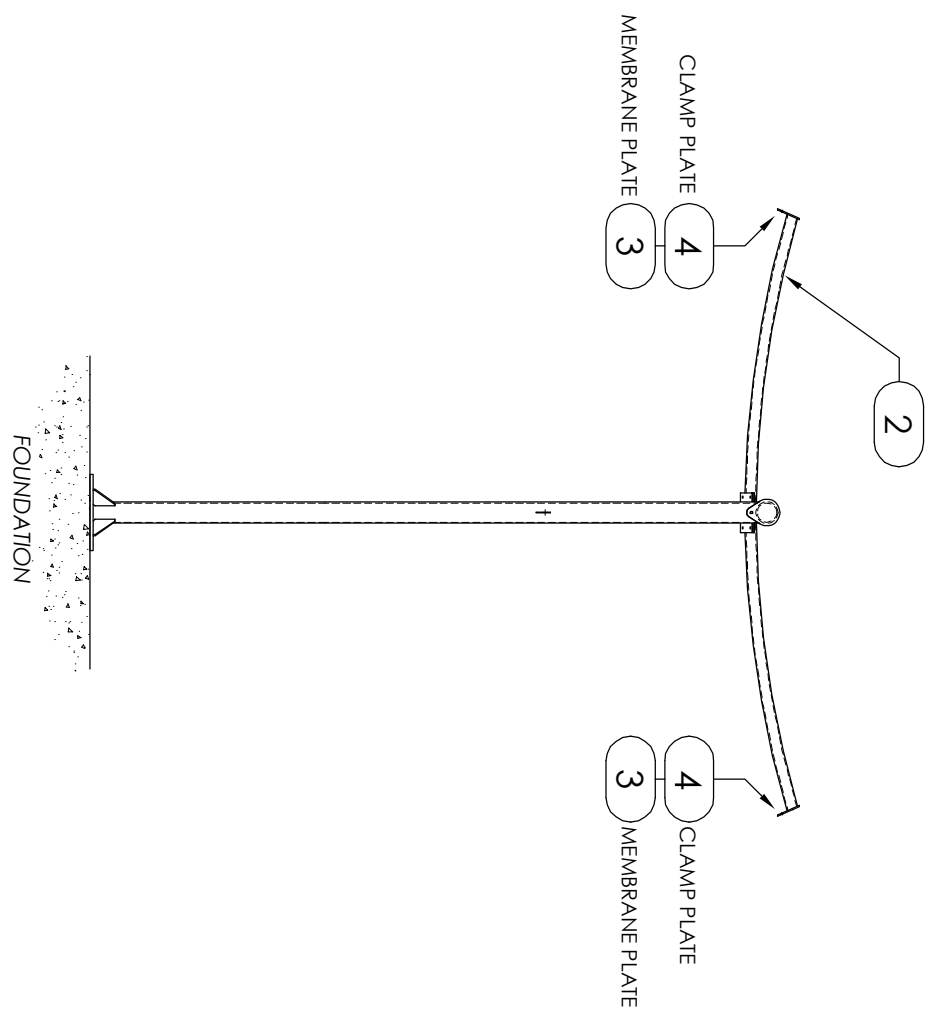
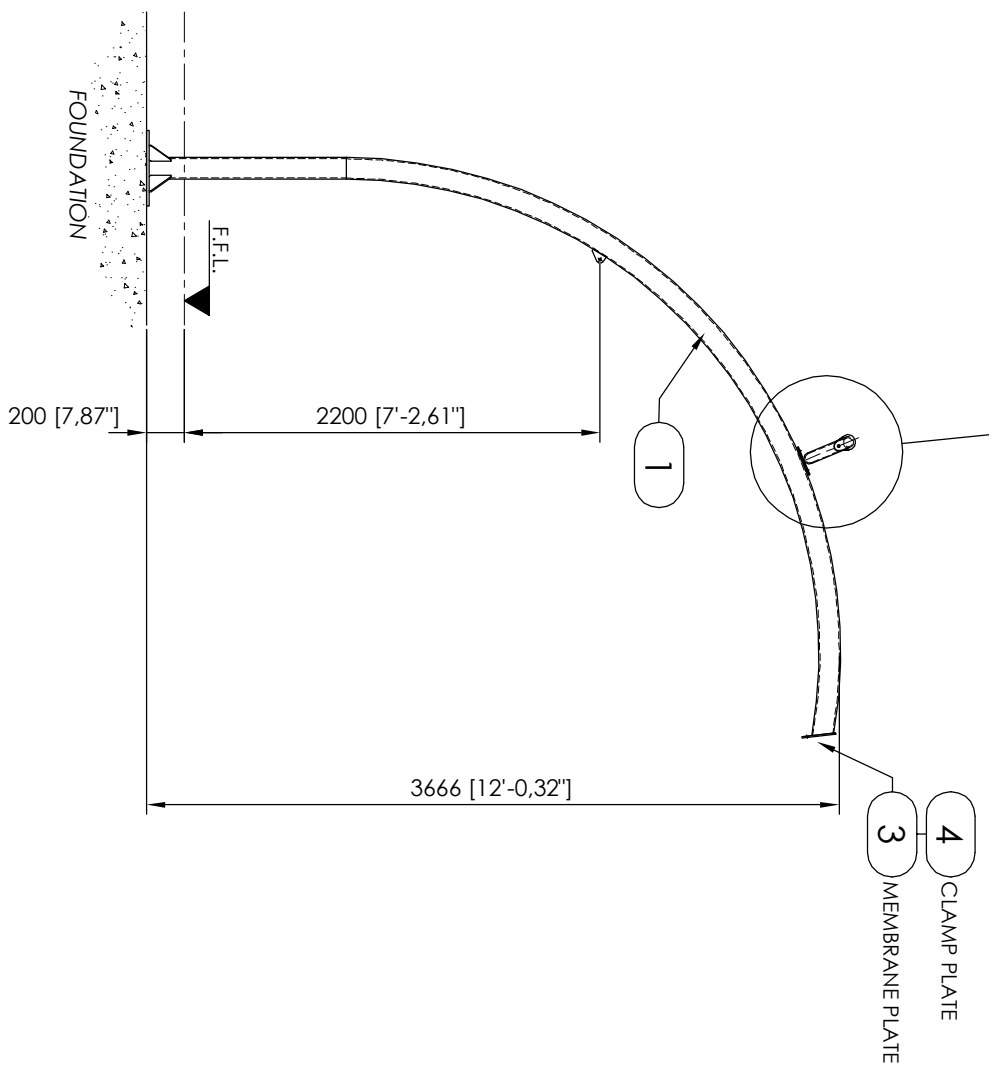
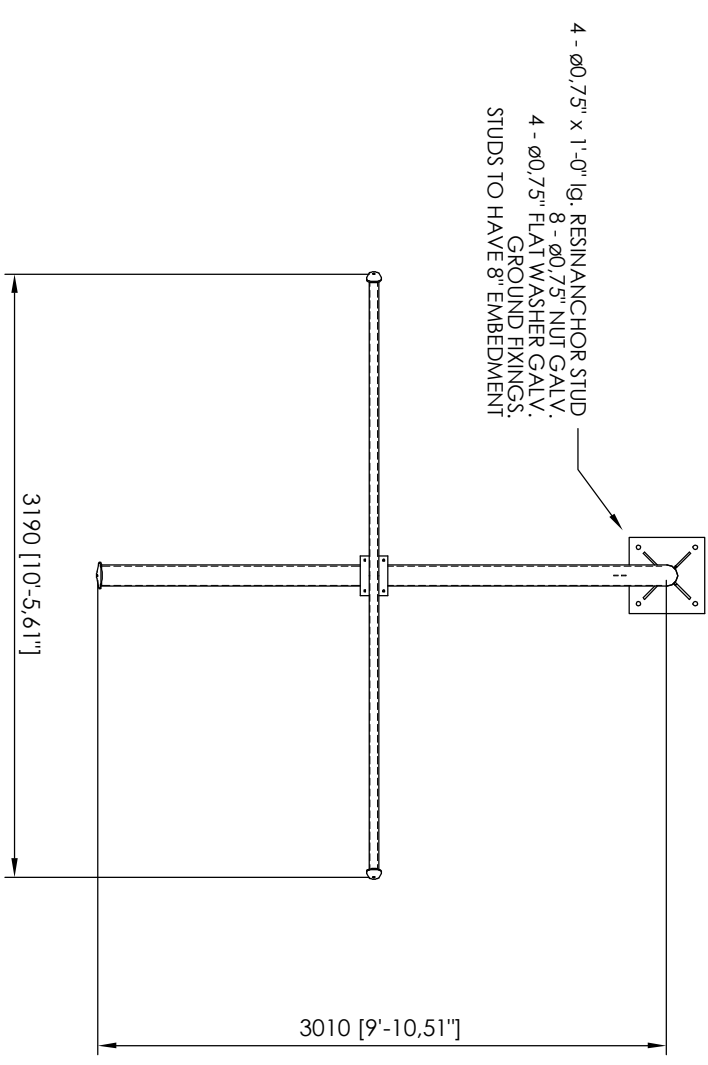
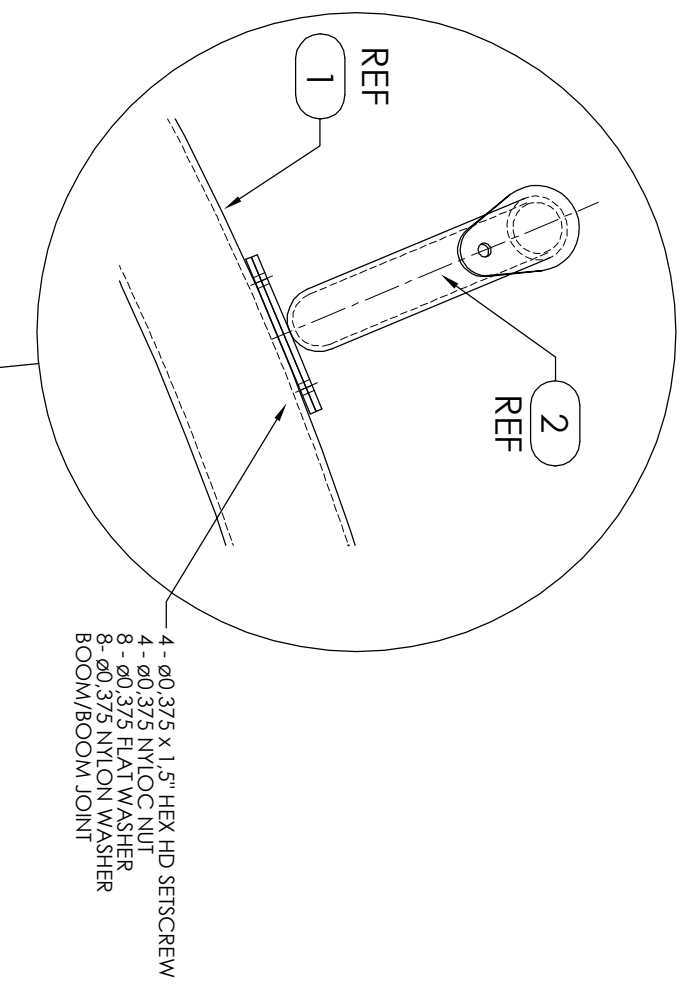


3rd Angle Projection U.N.O. 


Do not scale this print: If dimensional information is required please ask!

**GENERAL NOTES:**

ALL DIMENSIONS IN MILLIMETRES  
[ FEET / INCHES ],  
FOR FULL LIST OF FIXINGS, SEE LIST  
NO. SKL3U-200-FL.



REV	COMMENT	BY	DATE
A	REF:CR0014 REDUCE HT BY 200mm	SC	15.04.16

  
fabric architecture  
© Fabric Architecture 20  
14  
info@fabricarchitecture.co.uk  
www.fabricarchitecture.co.uk  
Huntings Road  
Goucester Business Park East  
Goucester, Gloucestershire  
GL3 4AG  
T : +44 (0)1452 61128  
F : +44 (0)1452 621200

**MANUFACTURE OF THE ITEMS SHOWN WILL ONLY BE RECEIVED UPON RECEIPT OF WRITTEN APPROVAL.**  
**COPYRIGHT REMAINS WITH THE COMPANY. REPRODUCTION PROHIBITED.**

**DRAWING STATUS**  
**Production**

**CLIENT**  
**PROJECT TITLE**  
**3m Sky/ar - Imperial Version**

**DRAWING TITLE**  
**G.A.: Steelwork & Fixings**

SCALE	DRAWN BY	CHECKED	REV
1:40 @A3	CG	CG	A
DATE	PROJECT No.	DRAWING No.	
12-12-07	SKL3U	200	

The design work we undertake for you and the company you represent, is protected by Anti-Copying in Design, or ACD. We therefore ask you to keep our design work confidential and respect our intellectual property rights, which are retained by us. Fabric Architecture unless a Design Release is commissioned and made.

